

POWERSTAR™ TRACTORS

T4.65 | T4.75



A new level of farming comfort.

The PowerStar™ tractor has been designed to take farming comfort to a whole new level. And, with 64 or 74 horsepower on tap, even the most demanding users can sit back and relax. Fully compliant with the even-more-stringent Tier 4B emissions regulations, PowerStar tractors save fuel and improve performance with efficient Common Rail engines. With responsive performance, big comfort, and reduced operating costs, the PowerStar Series is ready to be a key member of your farming family.



Convenient left-hand shuttle lever

Shift between forward and reverse with the fingertips of your left hand while keeping your hands on the steering wheel. Opt for the power shuttle and there's no need to clutch.

Transmission controls

Both the range lever and gear stick are intuitively positioned immediately to your right for the ultimate in comfortable operation from your natural driving position.

Optional 540/540E PTO speed selector

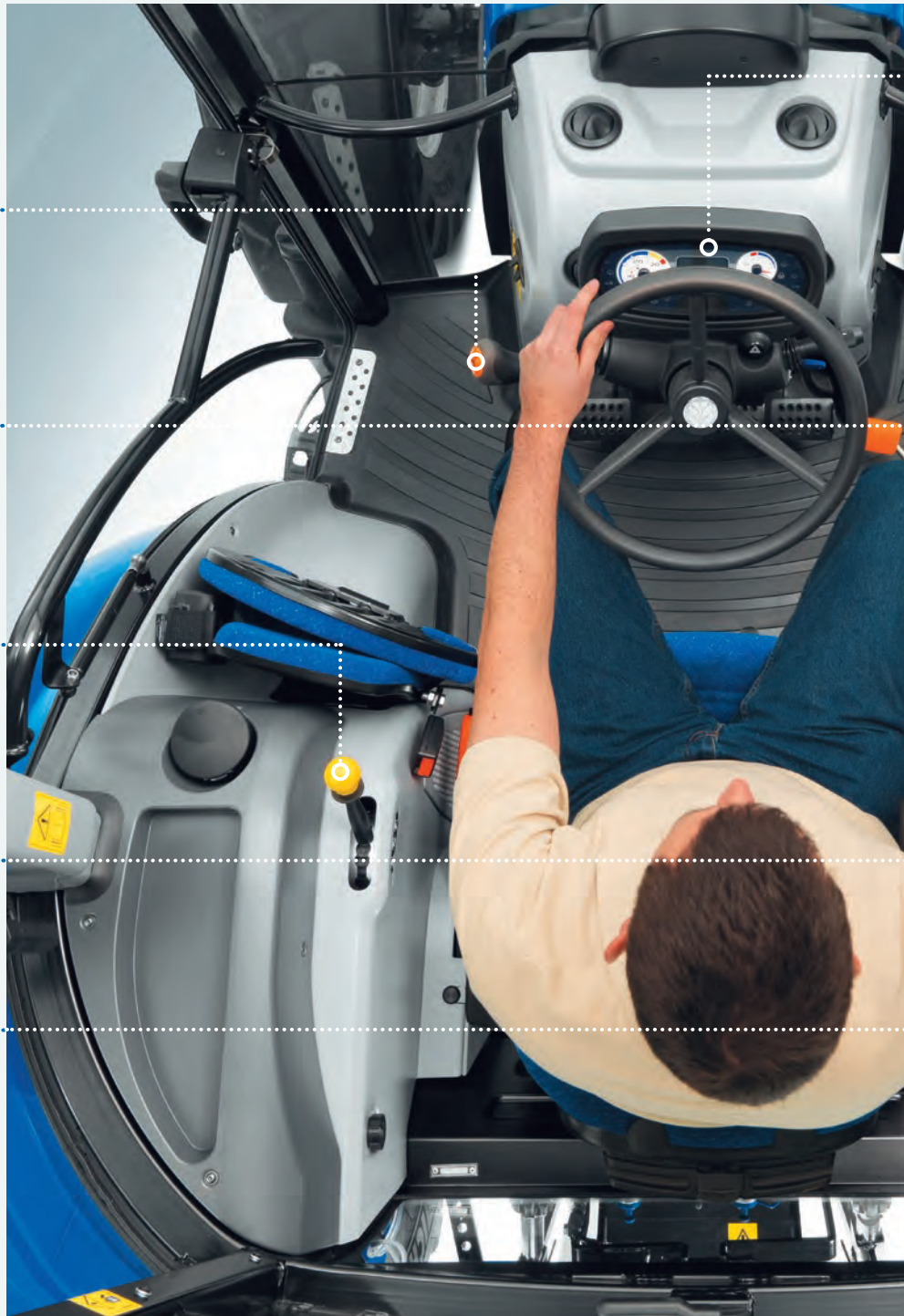
Quickly switch PTO speed for more fuel efficiency using this lever located to your left.

Ergonomic PTO lever

Use this convenient lever on your right-hand side to engage and disengage the PTO.

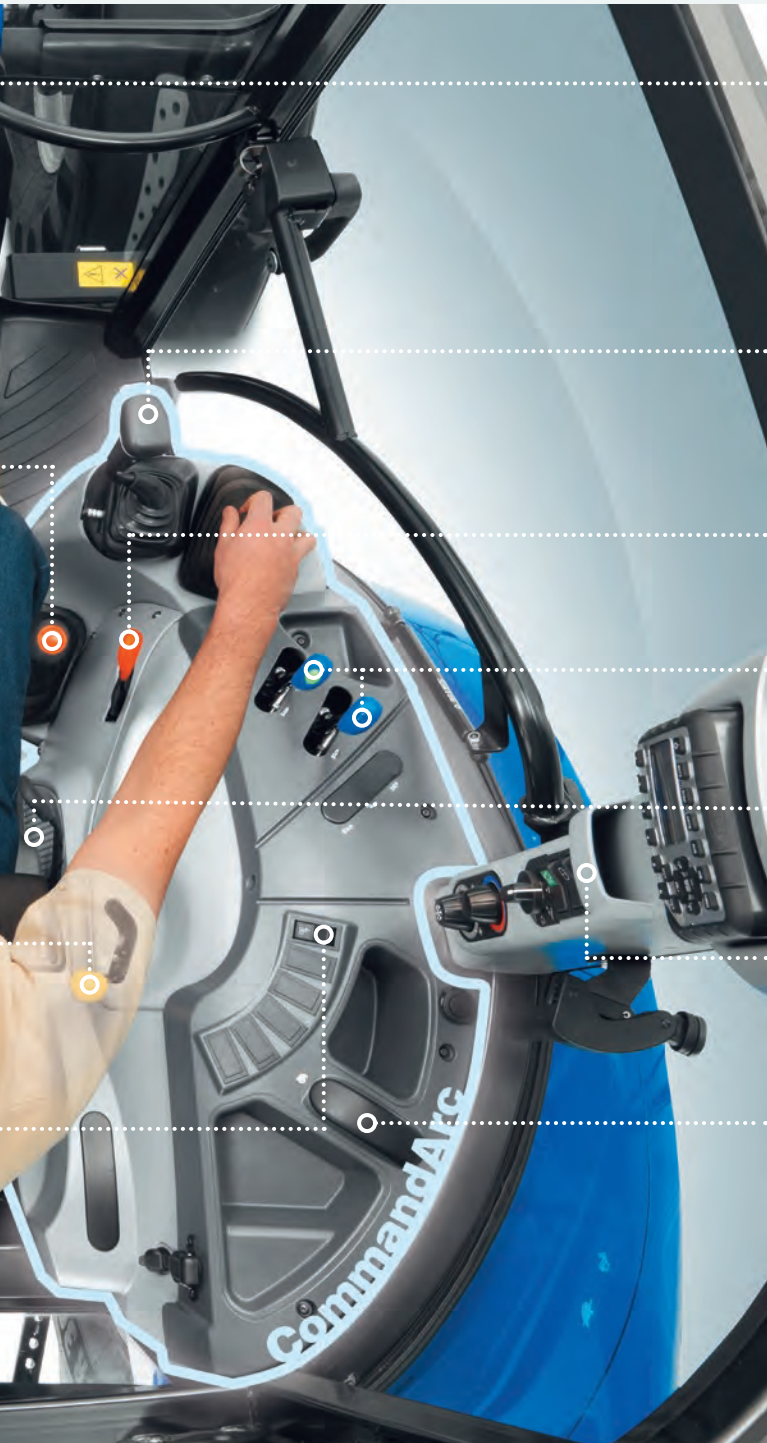
Four-wheel drive

Engage four-wheel drive (standard on T4.65, optional on T4.75) with a simple fingertip switch or pull lever, depending on transmission choice.



Designed around you. Designed by you.

New Holland knows that real farming knowledge can only come from real farmers. That's why dozens and dozens of tractor operators were involved in the design of the VisionView™ cab. You told us where you wanted the controls to be and we put them there. The process was further refined using state-of-the-art virtual techniques, and "Jack," a virtual farmer, was used to ensure that farmers of all shapes and sizes can enjoy the cab in absolute comfort.



Information at a glance

The clear and visible instrument cluster moves in conjunction with the fully tiltable steering column so you always have an unobstructed view of information you need. Consult the dot-matrix performance monitor for at-a glance operating information. Want to know your PTO or forward speed, or even when your next service is due? Simply glance at the easy-to-read LCD display and you'll be in the know.

Fingertip loader control

You control up to two mid-mount valves using the integrated joystick. It's ideally positioned for precise operation from the comfort of the driver's seat, increasing productivity and reducing fatigue.

Electronic throttle

The electronic throttle control enables you to smoothly fine-tune your forward speed.

Up to three remote valves

Dedicated mechanical levers are placed at the perfect angle to your body.

Position and draft controls

You can fine-tune position and draft controls using this easy-to-reach lever.

Mobile storage slot

A pocket built into the pillar below the radio is perfect for holding your mobile phone or MP3 player and provides easy connection to the auxiliary input.

Creeper engagement

This dedicated lever located to your right makes it easy to engage the creeper.

Command arc console

Controls are precisely placed for the ultimate in ergonomic operation. The Command Arc right-hand console houses the most frequently used controls, all within positions that are completely natural for your body. Never again will you feel like a contortionist in your own tractor.

Step in, relax and enjoy the ride.

Ergonomic design. Absolute comfort. Industry-leading operator convenience and efficiency. These all add up to the ultimate driving experience. The VisionView cab is standard on the T4.65 and optional on the T4.75. It was developed using state-of-the-art virtual reality techniques. What does that mean? A cab that feels as though it was designed expressly for you because it fits you like a glove.



Welcome aboard

The wide opening door guarantees easy entry, and your comfort is further enhanced thanks to the flat floor and suspended pedals that reduce fatigue during long working days. On cab models, the instrument cluster tilts with the steering column to suit you using a foot control. Since the air conditioning unit is positioned under the seat, leave your hat on and enjoy the exceptional headroom. Just sit back, relax and enjoy the panoramic view of the job before you and a clear view of your implements and attachments.



Are you sitting comfortably?

The optional deluxe air suspension seat features a fully integrated armrest. For operators who extensively use rear-mounted equipment, 10° of swivel to the right allows you to pivot the entire seat to reduce neck fatigue during long days. The full-size instructor seat with seatbelt means two adults can comfortably ride together in the PowerStar.





Brilliant lights for dark nights

A full range of work lights are standard and can be angled to suit the application, offering a broad spread of light to turn night into day. You control all lights easily using the dedicated switch panel on the B-pillar. Cab models feature eight lights total, while ROPS models feature five. Two forward and two corner lights are on the PowerStar front hood. ROPS models feature one rear work light, while cab models feature two rear lights at the top of the cab and two additional lights at the front of the cab roof.

ROPS version

If you select a PowerStar T4.75 without a cab, you still enjoy the benefit of the flat deck, comfortable seating, outstanding visibility and controls that come easily to hand. A folding ROPS is standard equipment and safety is further enhanced during loader activities by the optional FOPS-compliant canopy.



Monitors are welcome

Add the optional baler bar with fully adjustable position settings to place bale monitors and control boxes in the natural line of sight for improved safety. It's a perfect choice for haying operations.



Enjoy the radio

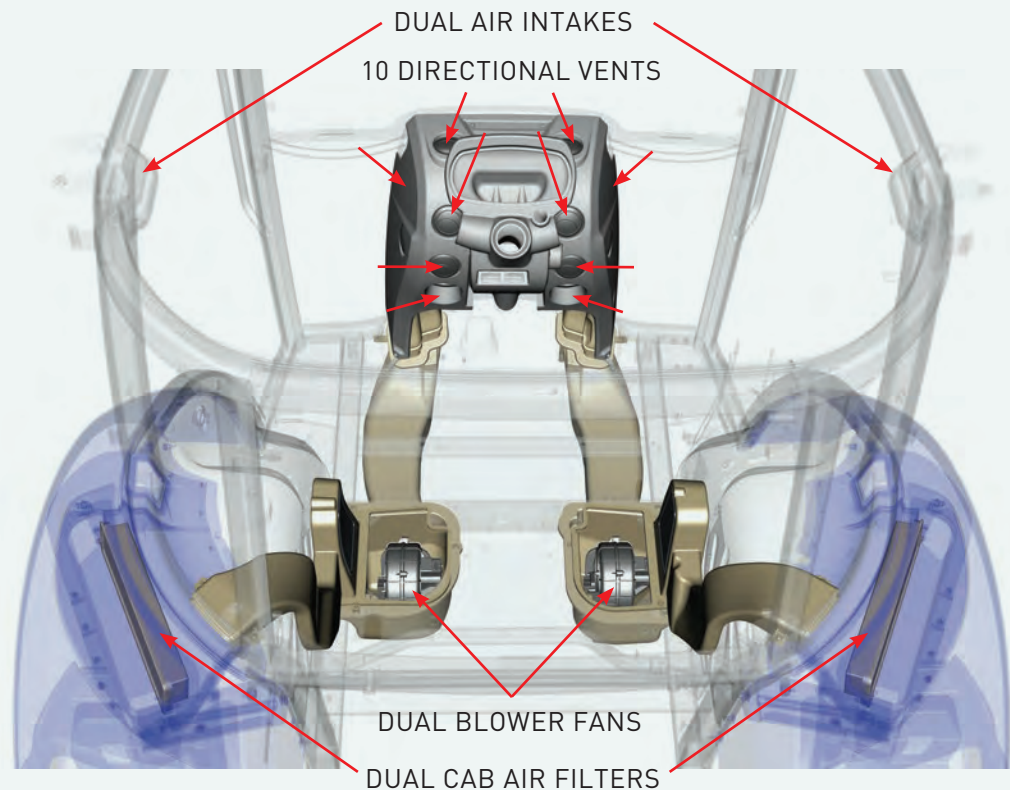
Selecting your favorite station is easy thanks to the large-sized, reinforced buttons included on the available radio. For music lovers, an auxiliary plug for an MP3 player, together with its own personal pocket, is also available. A convenient coat hook has also been added to keep everything neatly in its place.



AIR FLOW CONTROLS

Head-to-toe comfort

You control air flow for ultimate all-body comfort, or in cases of extreme temperatures, fast defrosting of the windshield. The controls on the B-pillar are within handy reach so you can adjust them easily and naturally while on the move.



Two fans, 10 vents and the latest in cool technology

The unique PowerStar climate system guarantees your comfort in every season. It features DUAL fans—a unique feature in tractors of any size. Two intakes—one on each side of the cab—pull in outside air and direct it to up to 10 vents that you can individually position to direct air to the exact areas you prefer.



Clean, powerful and efficient engines.

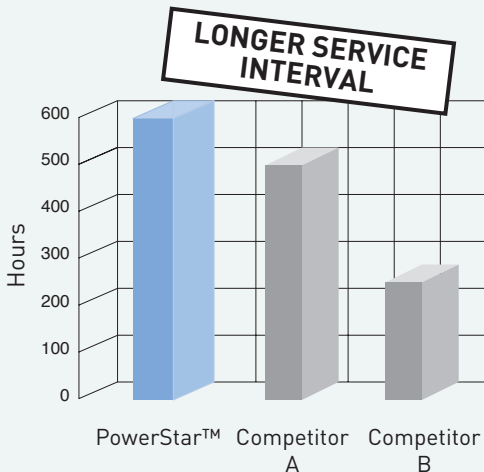
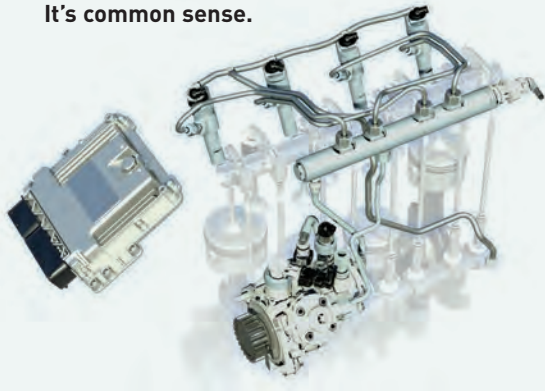
PowerStar tractors boast 3.4-liter Common Rail F5D engines developed by CNH Industrial that comply with stringent Tier 4B emissions regulations. Advanced Common Rail technology delivers precise fueling for optimal response and has also reduced fuel consumption by up to 13%. This super-quiet engine develops up to 74 hp and up to 310 Nm of torque for guaranteed productivity. The flat power curve between 1900 and 2100 rpm maintains maximum performance through a larger horsepower range, giving you more horsepower and efficiency than ever before. Throw in a power-to-weight ratio of just 30.4kg/hp and a PowerStar tractor is your perfect farming partner. These tractors use a particulate matter catalyst (PM Catalyst) for Tier 4B compliance, which requires no maintenance and minimal intervention from the operator for the regeneration process. This further enhances efficiency.

Common rail. Common sense.

More responsive tractors. Lower fuel bills. This is the result of Common Rail technology. As your PowerStar receives precisely the amount of fuel it requires, maximum power is now sustained starting at 1900 rpm for enhanced operating flexibility. The optimized combustion process also results in more efficient engines which are more responsive and better able to respond to your demands.

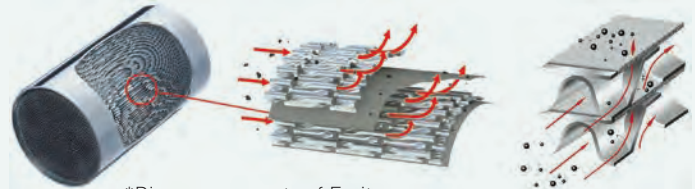


Common Rail. It's common sense.



Particulate matter catalyst (pm catalyst): efficient emissions technology

In order to meet the even-more-stringent Tier 4B emissions regulations, CNH Industrial used advanced PM Catalyst technology. Put simply, the PM Catalyst is a particle separator located in the exhaust system downstream of a diesel oxidization catalyst. Particulate matter, or soot, contained in the exhaust gas, passes through the PM Catalyst and when it touches the walls, it is burned off. This filter does not block due to the high flow of exhaust gases. The simplest system around, it requires minimal operator intervention with fewer occurrences of regeneration than competitors with a Diesel Particulate Filter. Trust New Holland for simple solutions which help you and the environment.

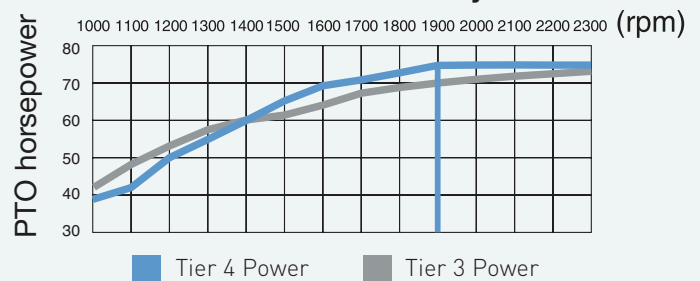


*Diagram property of Emitec

Engineered to reduce operating costs

Advanced engineering design means lower maintenance demands. The PowerStar's already industry-leading service intervals have been further extended by 20% to 600 hours, making them longer than most competitors. Choose New Holland to save you money, downtime and protect the environment.

Power and Productivity

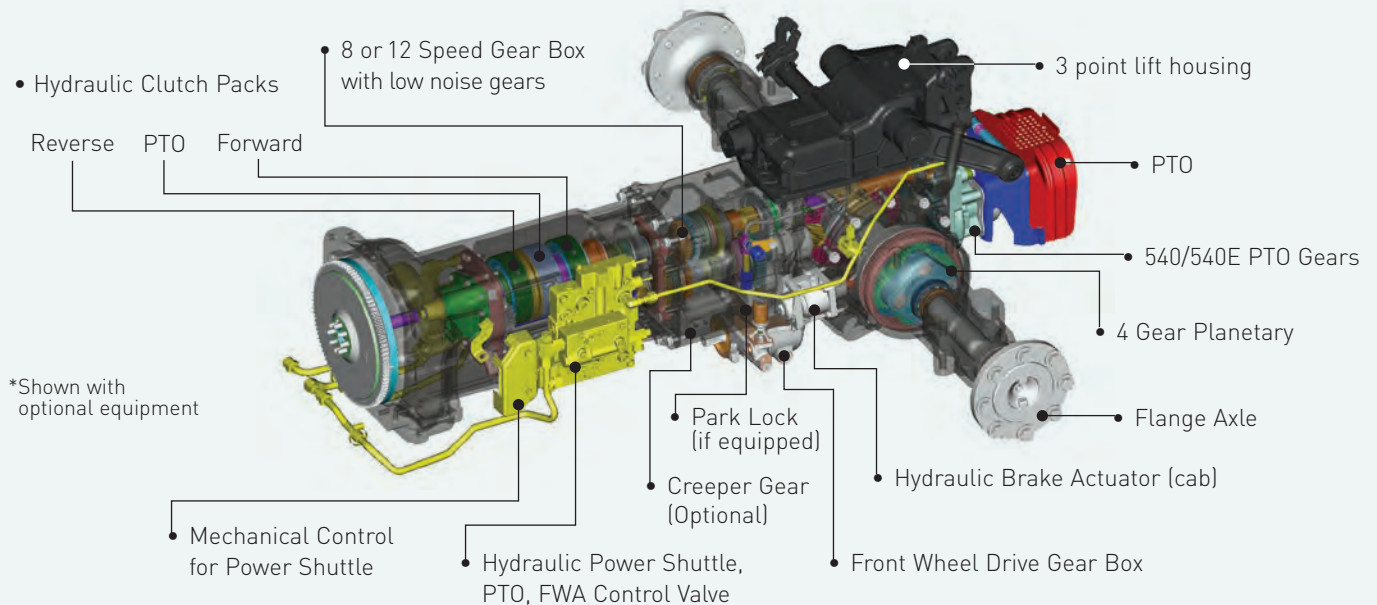


Select the transmission that suits you.

New Holland knows that everyone has different requirements for a utility tractor. A choice of transmissions allows you to find the perfect solution for your operation.

The latest technology, the most rugged simplicity.

New Holland engineers used the latest technology to design and manufacture the PowerStar drivetrain. The result: a refreshing picture of simplicity. All transmission gears are cut using a material and profile that yields the lowest possible noise. The power shuttle transmission features a simple, rugged design that does not use electronics. The hydraulic clutch packs are cooled in oil to extend clutch life—a clear advantage compared to dry mechanical clutches. The final reduction planetaries on all models feature four gears for added life when most tractors of this size only have three.



Hydraulic power shuttle transmission

The 8x8 transmission (T4.75 only) and 12x12 transmission are available with a hydraulic power shuttle that lets you shift from forward to reverse without clutching, and without the need for electro-hydraulics. The shuttle lever is conveniently positioned on the steering column for quick, fingertip shuttling. You can operate the power shuttle while holding the steering wheel, perfect for performing precision loader work.



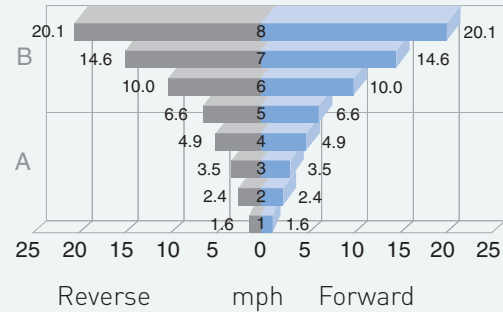
How slow do you need to go?

Any PowerStar power shuttle transmission can be further enhanced with the addition of a creeper option, which provides speeds as low as 5.9 feet per minute to tackle specialized applications such as hand planting and vegetable harvesting. The 8x8 transmission with the creeper option provides one additional range with four creeper gears. The 12x12 creeper option provides two additional four-gear ranges for a total of eight creeper gears.

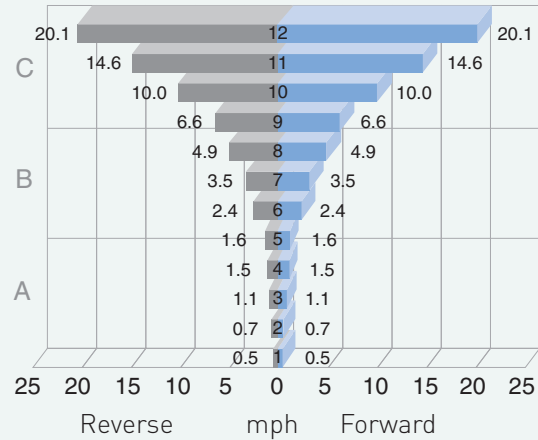
Synchro shuttle transmission (T4.75 only)

The entry-level 8x8 Synchro Shuttle™ transmission offers get-on-and-go simplicity and the 12x12 Synchro Shuttle™ offers four additional gears in the working range—perfect for finding the speed to power a variety of implements. Both transmissions offer a robust mechanical shuttle for positive direction changes.

8x8 Transmission - 20 mph (T4.75 only)



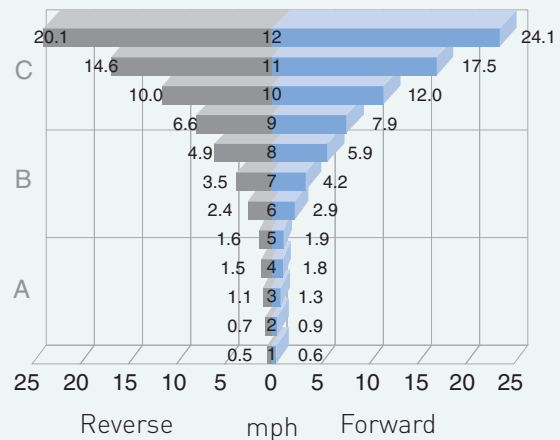
12x12 Transmission - 20 mph



24-mph option (T4.75 only)

For higher transport speeds, opt for a FWD tractor. It's available with an optional 24-mph (40-kph) 12x12 transmission (synchro shuttle or hydraulic power shuttle) for faster travel between locations. You also get the benefit of enhanced braking performance, since four-wheel drive automatically distributes the braking effect on all four tires.

12x12 Transmission - 24 mph



Purpose-designed for loader work.

New Holland knows that an integrated design is better than something tacked on as an afterthought. This is why New Holland developed the PowerStar Series in conjunction with the loader to maximize its performance. The 655TL loader sports a curved boom for increased precision and reduced losses. Both a self-leveling and non self-leveling model are available to meet your individual requirements. With a lift capacity of up to 3,179 pounds and a lift height of over 10.5 feet, you'll make quick work of the materials handling tasks you face.

Low mounting for improved visibility

The low, short loader mounting brackets guarantee that nearly every loader movement is within sight. You get exceptional forward and downward visibility, both when the loader is mounted, and after it has been removed. Plus, the low mounting points lower the tractor's overall center of gravity, which leads to better stability



Look up and what do you see?

Your loader of course! The PowerStar™ high-visibility roof panel was engineered to offer the perfect view of your loader at full lift. The arched front window, when combined with the superthin roof beam, allows the most visibility on the market, so you work safe in the knowledge that you can see the bucket from ground level to full lift height from the comfort of your seat. You can also fully open the roof panel for improved ventilation. Dazzling sun? Simply pull across the integrated sun visor to shade yourself from the harshest rays.



Fast attachment changes

The choice of skid-steer-style or euro-style quick-attach coupling systems allows you to change attachments fast – a bucket now, a bale spear next, and pallet forks after that. An optional factory-installed third function diverter valve is available for attachments such as a grapple bucket. And, with its own built in stands for safe storage, you can remove the quick-attach loader when you aren't using it.

LOADER MODELS		655TL	
		NSL Non Self-Leveling	MSL Mechanical Self-Leveling
Max lift height @ pivot pin	in.	126	125
Dump clearance	in.	90	89
Digging depth	in.	8	8
Lift capacity to max height @ 800 mm from pivot point	lbs.	2,478	3,179
Breakout force	lbs.	3,739	4,665
Reach at maximum lift height	in.	33	32
Reach at ground level	in.	90	90
Bucket rollback angle	degrees	45	40
Bucket dump angle	degrees	143	143
Faceplate attachment style		Skid-steer or Euro-style	



Natural loading ease by design

Easy, instinctive loader control was an integral part of designing the PowerStar tractors. From the natural position of the loader joystick on the right-hand console, and convenient location of the forward/reverse shuttle lever on the left side of the steering column, to the incredible visibility, PowerStar tractors are ready to lift, load, move and stack.

LOADER MODELS		622TL	627TL
Loader type		NSL Non Self-Leveling	MSL Mechanical Self-Leveling
Max lift height @ pivot pin	in.	121	121
Dump clearance	in.	85	85
Digging depth	in.	7	7
Lift capacity to max height @ 800 mm from pivot point	lbs.	1,830	2,557
Breakout force	lbs.	3,042	3,307
Reach at maximum lift height	in.	40	40
Reach at ground level	in.	89	89
Bucket rollback angle	degrees	42	42
Bucket dump angle	degrees	51	51
Faceplate attachment style		Skid-steer-style or Euro-style	

Dealer-installed loader options

If your PowerStar tractor did not come with a factory-installed loader, we've still got you covered! Choose between the 622TL non-self-leveling or the 627TL mechanical self leveling loader with a choice of 72- to 84-inch buckets and a variety of attachments. An optional third function diverter valve is available as well as the Soft Ride loader suspension system.

PowerStar™ axles, hydraulics and PTO economy to match your needs.

The precision-engineered PowerStar™ hydraulic system delivers 12.5 gallons per minute (gpm) to meet your individual demands. Designed with front loaders in mind, the system features a dedicated steering pump to ensure maintained steering accuracy without compromising loader cycle times. A front axle which features an optional slot for compatibility with specialty front-driven implements is available. The design maintains overall strength and is perfect for many municipal applications.



Mechanical draft control

Mechanical draft control offers proven reliability and maintains a constant draft load with three-point-mounted implements. This simple, easy-to-operate system uses dedicated controls located conveniently to the right of the operator.



Electronic 4WD

When you work in rough terrain, the electronic 4WD front axle (standard on the T4.65, optional on the T4.75) ensures that you have the traction required. The 4WD is engaged using a simple rocker switch on the Command Arc console. When braking (using both pedals), this axle engages the 4WD to provide additional stopping power.

Heavy-Duty 2WD

When you only need a basic chore tractor, the heavy-duty 2WD front axle available on the PowerStar T4.75, is a great choice. The 55-degree steering angle and 134-inch turning radius (without brakes) provide you with sharp turning, which is perfect for making turns at the end of your field when raking. The 2WD axle is limited to 20-mph transmission options only.



Efficient PTO operation with ECO setting

The reduced 1958-rpm standard PTO speed decreases fuel consumption and noise. Use the ergonomic lever located on the Command Arc console to select the desired PTO speed. A 540 ECO PTO speed is also available, and guarantees even more impressive fuel savings thanks to a mere 1,592-rpm engine speed. In addition, your productivity will soar thanks to 16% more available torque.



Mechanical remote valves

Select up to three remote valves. Engage the valves and swiftly and intuitively select from three positions—float, neutral or extend—using the dedicated levers on the Command Arc console. Add optional flow control so you can adjust hydraulic performance to suit the task at hand.



Strong, efficient and powerful

With a three-point hitch lift capacity of 3,664 pounds, measured at the ball ends, the rear linkage has a continuous lift capacity of up to 4,832 pounds. The robust, heavy-duty design allows you to lift even the heaviest implements with ease. Flexible link ends and telescoping stabilizers are standard equipment to make implement hook-up a breeze.



Easy maintenance.

The PowerStar has been designed to be the ultimate in ease of daily maintenance. All service points are easy to access from ground level, and 600-hour service intervals mean this tractor will spend more time in its natural environment: doing what you want it to!



The engine air filter is easy to check, clean or replace, with no need for tools.

Single-piece hood opens wide for full servicing access.

Replace or clean the cab air filter by simply removing from the easy-access fender-mounted position.



Engine and hydraulic oil are checked without opening the hood for faster checking and simpler servicing.

The cooling package slides out for simple and efficient cleaning.

Refill the 23.8-gallon fuel tank from ground level.

POWERSTAR™ TRACTOR SPECIFICATIONS**T4.65****T4.75**

Engine			
Type		4-cylinder diesel	4-cylinder diesel
Make / Model		F5C	FPT / F5C
Aspiration		Turbocharged	Turbocharged
Displacement	cu. in. (L)	207 (3.4)	207 (3.4)
Rated speed	(RPM)	2,300	2,300
Gross engine	HP	64	74
PTO horsepower		50	65
Emission legislation		US EPA Tier 4B	US EPA Tier 4B
Cold Start aid		Grid heater	Grid Heater
Transmissions			
Standard		12x12 hydraulic shuttle	8x8 mechanical shuttle
Option 1		----	8x8 hydraulic shuttle
Option 2		----	12x12 mechanical shuttle
Option 3		----	12x12 hydraulic shuttle
Creeper range		----	Available with 12x12 and 20x20 power shuttle
PTO			
Type		Fully independent	Fully independent
Base equipment PTO speed		540 @ 1,958 engine RPM	540 @ 1,958 engine RPM
Optional PTO speed (540E)		540 @ 1,592 engine RPM	540 @ 1,592 engine RPM
3-Point hitch			
Category		II / I	II / I
Draft sensing		Top link	Top link
ASAE lift capacity @ 24"	lbs. (kg)	3,664 (1662)	3,664 (1662)
Lift arms		Flexible	Flexible
Stabilizers		Telescopic	Telescopic
Hydraulics			
System type		Open center	Open center
Mechanical Shuttle Transmission			
Implement pump flow GPM	(l/min)	----	12.5 (47.5)
Steering & services pump flow GPM	(l/min)	----	7.3 (27.5)
Power Shuttle Transmission			
Implement pump flow GPM	(l/min)	12.5 (47.5)	12.5 (47.5)
Steering & services pump flow, GPM	(l/min)	9.5 (36)	9.5 (36)
Remotes		Up to 3	Up to 3
Dimensions			
Wheelbase (2wd)	in. (mm)	----	85.8 (2180)
Wheelbase (4wd)	in. (mm)	83.9 (2132)	83.9 (2132)
Overall length	in. (mm)	151 (3836)	151 (3836)
ROPS height (folded)	in. (mm)	----	76 to 78.9 (1931 to 2006)
Cab height	in. (mm)	94.8 to 97.8 (2409 to 2484)	94.8 to 97.8 (2409 to 2484)
Weights			
ROPS (2wd)	lbs. (kg)	----	5,027 (2280)
ROPS (4wd)	lbs. (kg)	----	5,952 (2700)
Cab (2wd)	lbs. (kg)	----	5,622 (2550)
Cab (4wd)	lbs. (kg)	6,239 (2830)	6,239 (2830)





VALUE, SERVICE AND SOLUTIONS

There's a certain way of thinking that comes from living on a farm. Farming takes equal parts brain and brawn. Not to mention thick skin, calloused hands and a fair share of know how. Seasoned farmers know it helps to have equipment that's built by farmers, sold by farmers and used by farmers.

Support at every step. When you place your confidence in New Holland agricultural equipment, you get the finest in local support. Your New Holland dealer understands the many challenges you face and stands behind you at every step with the equipment, parts, service and financial solutions to make your job easier. Look to New Holland for a complete selection of equipment, including a full line of tractors, hay & forage equipment, harvesting, crop production and material handling equipment.

Quality parts and service. Turn to your New Holland dealer after the sale for expert, factory-trained service and genuine New Holland-branded parts. Your dealer has the very latest service updates and training to ensure your equipment keeps working productively season after season.

Financing solutions. Your New Holland dealer can tell you about smart ways to turn your financial challenges into opportunities with a portfolio of innovative financial services available through CNH Industrial Capital, including customized financing, leasing, insurance and the purchasing convenience of a Commercial Revolving Account.

For reliable equipment, parts and service — or just honest advice on farming and finance — turn to New Holland and your trusted New Holland dealer. We know. We're farmers, too.



We are proud to support the FFA.

Learn more at www.newholland.com/na

Design, materials and/or specifications are subject to change without notice and without liability therefor. Specifications are applicable to units sold in Canada, the United States, its territories and possessions, and may vary outside these areas.

© 2016 CNH Industrial America LLC. All rights reserved. New Holland is a trademark registered in the United States and many other countries, owned by or licensed to CNH Industrial N.V., its subsidiaries or affiliates. Any trademarks referred to herein, in association with goods and/or services of companies, other than owned by or licensed to CNH Industrial N.V., its subsidiaries or affiliates, are the property of those respective companies.



Safety begins with a thorough understanding of the equipment. Always make sure you and your operators read the Operator's Manual before using the equipment. Pay close attention to all safety and operating decals and never operate machinery without all shields, protective devices and structures in place.

NH31T47516 • 071608 • OTP • PRINTED IN U.S.A.